

**2.0 Megapixel USB 2.0 Camera****Outline**

Lumenera's Lu200 and Lu205 series of megapixel cameras are designed to be used in a wide variety of applications where high resolution is required.

With 1600x1200 resolution and on-board processing these cameras deliver outstanding image quality and value for industrial and scientific imaging applications.

Uncompressed images in live streaming video and still image capture are provided across a USB 2.0 digital interface. No framegrabber is required. Advanced camera control is available through a complete Software Developer's Kit (SDK), with sample code available to quickly integrate camera functions into OEM applications.

Hardware and software based synchronization trigger is provided standard. Cameras are offered in both enclosed (Lu205) and board-level form (Lu200). Custom form factor (sizes) can be provided. Color camera models currently available.

All Lumenera products are supported by an experienced team of software developers and application engineers. We understand your imaging needs and are here to help you with your integration and development. Products come with a full one (1) year warranty.

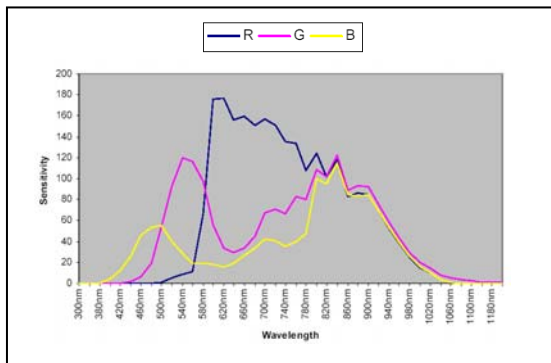
**Performance Features**

- Color, progressive scan**  
**2.0 megapixel CMOS sensor**
- High-speed USB 2.0 (480Mbits/sec)**
- 10 fps at full 1600x1200 resolution**  
**40 fps at 800x600 (sub-sampled)**
- Full sub-window control**
- Auto white balance & auto exposure**
- Snapshot mode for use with strobe**
- GPI/Os for control of peripherals and**  
**synchronization of lighting (4in/4out)**
- FCC Class B, CE Ready**
- RGB Bayer video output**
- Select 8 or 10-bit pixel data**
- Simplified cabling - video, power and full**  
**camera control over a single USB cable**
- C-Mount provided**
- DirectShow compatible**
- USB cameras are software compatible with**  
**Windows XP, Windows Vista and Windows**  
**7, 32 and 64-bit operating systems**
- Complete SDK available**

# Specifications

# Lu200/Lu205

Image Sensor	1/2" format, color, 6.7mm x 5.0mm array
Effective Pixels	1600x1200, 4.2µm square pixels
Frame Rate	10 fps at 1600x1200, 40 fps at 800x600 (sub-sampled)
Sensitivity	High
Dynamic Range	54dB
Auto Exposure	Automatic / Manual
White Balance	Automatic / Manual
Dimensions (W x H x D)	2.00 x 2.50 x 1.63 inches (board level) 2.25 x 3.85 x 1.56 inches (enclosed)
Mass	~150g / 300g
Power Requirement	USB bus power, or external 6VDC, 500mA
Power Consumption	~2.5 Watts
Operating Temperature	0°C to +50°C
Operating Humidity	0% - 95%, Non-condensing
Interface Connector	Standard USB
Lens Mount (Lens not included)	C-Mount (CS-Mount option)



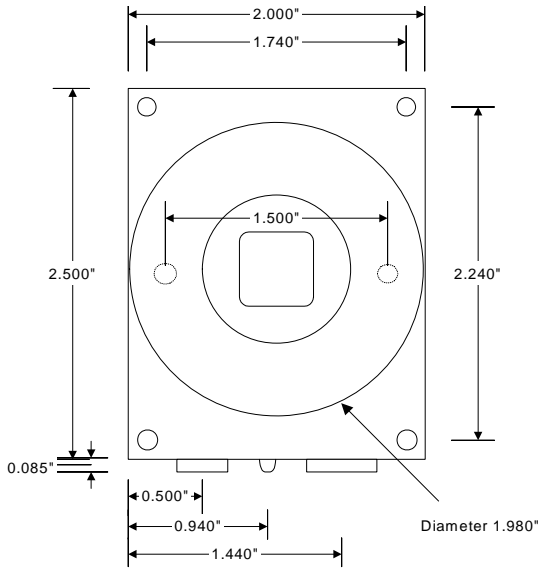
## Ordering Information

- Lu200CB – Color Camera Module
- Lu205CB – Enclosed Color Camera
- LuSDK – Software Developer's Kit

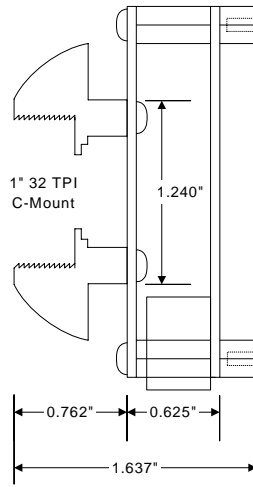
**Full customization  
available to meet your  
exact needs!**

# Mechanicals

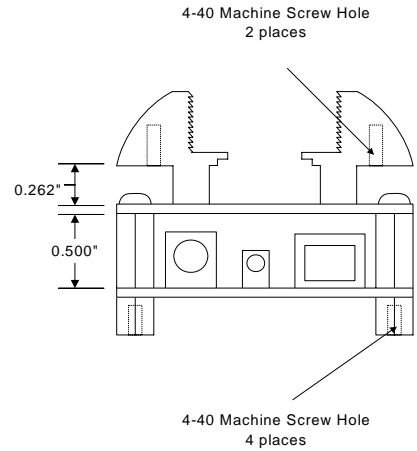
## OEM Board-Level Camera



Front



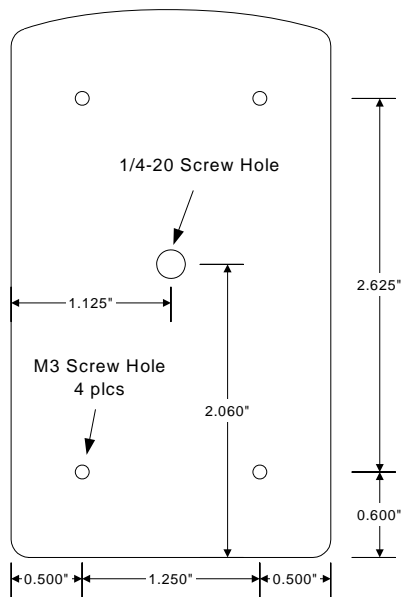
Side



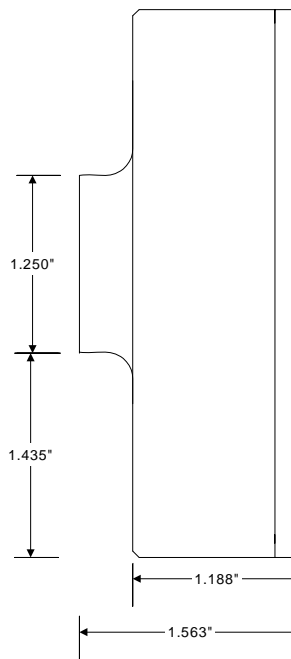
Bottom

## Enclosed Camera \*

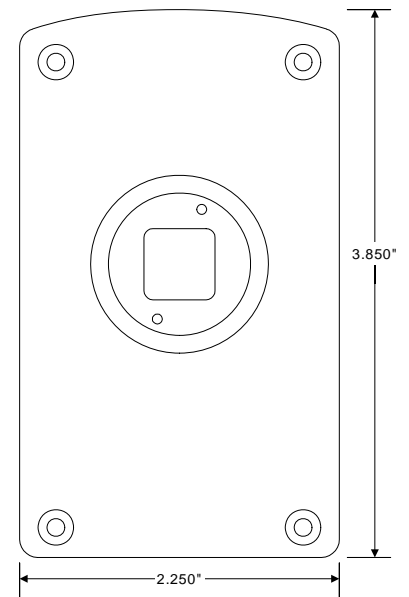
Back



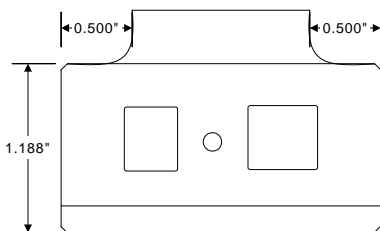
Side



Front



Bottom



\* Anodized aluminum, std color - black